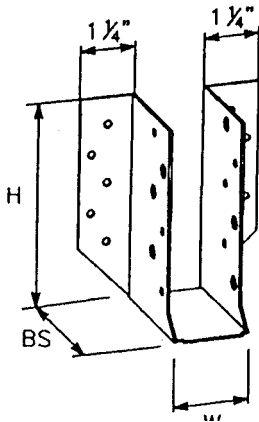


18 Ga. NVJH Joist Supports

Wood to Wood

Product Code	Dimension (inches)			Joist Size	Double Header Size	Single Header Size	Fasteners			Allowable Loads (lbs.)		
	W	H	BS				Double Header	Single Header	Joist	Gravity Loads 100%		Uplift Loads 160%
										Double Header	Single Header	
NVJH24	15/8"	35/8"	3	2x4 2x6	2-2x4 2-2x6	2x4 2x6	6-10d	6-10d x 1 1/2"	4-10d x 1 1/2"	744	744	493*
NVJH26	15/8"	5"	3	2x6 2x8	2-2x6 2-2x8	2x6 2x8	10-10d	10-10d x 1 1/2"	6-10d x 1 1/2"	1240	1240	821
NVJH28	15/8"	6 3/4"	3	2x8 2x10 2x12	2-2x8 2-2x10 2-2x12	2x8 2x10 2x12	14-10d	14-10d x 1 1/2"	7-10d x 1 1/2"	1736	1736	1079

*Use only in Non-HVHZ.

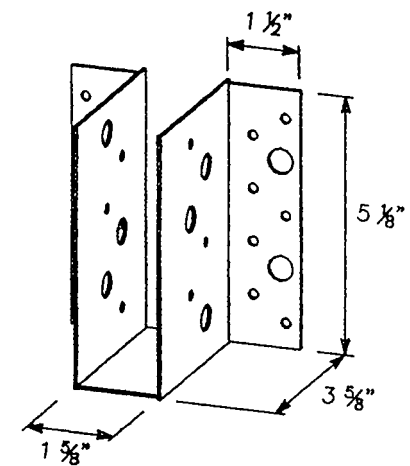


NVJH 26 as shown
NVJH 24 & 28
similar but with different holes

- Notes:
- 1) All specified fasteners should be used on each of the connected members to achieve values indicated on the above schedule.
 - 2) This table is based on Florida Approval 16294-R2, Table 12 and Miami-Dade NOA 15-0507.02

NVS0236 16 Gauge Heavy Duty-Face Mount Joist Hanger					
Joist Size	Header Size	Fasteners		Allowable Loads (lbs.)	
		Header	Joist	Gravity 100%	Uplift 160%
2x6-8	2-2x8	14-10d	6-10d	1758	1108
	2-2x10	14-16d	6-16d	1875	1279
	2-2x12	4-3/8" x 3" Leg Screws	6-16d	808	1217

- Notes:
- 1) Use all specified fasteners in schedule to achieve values indicated.
 - 2) See General Notes, page 01.
 - 3) This table is based on Florida Approval 16294-R2, Table 13 and Miami-Dade NOA 15-0507.02.



NVS0236

16 GAUGE

BOLT HOLES 1/2" DIA
NAIL HOLE 3/16" DIA