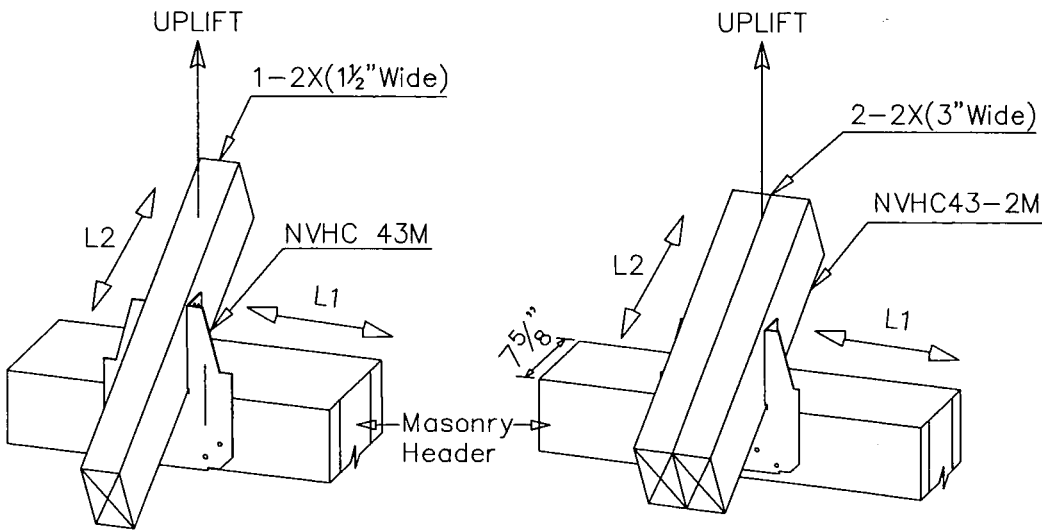
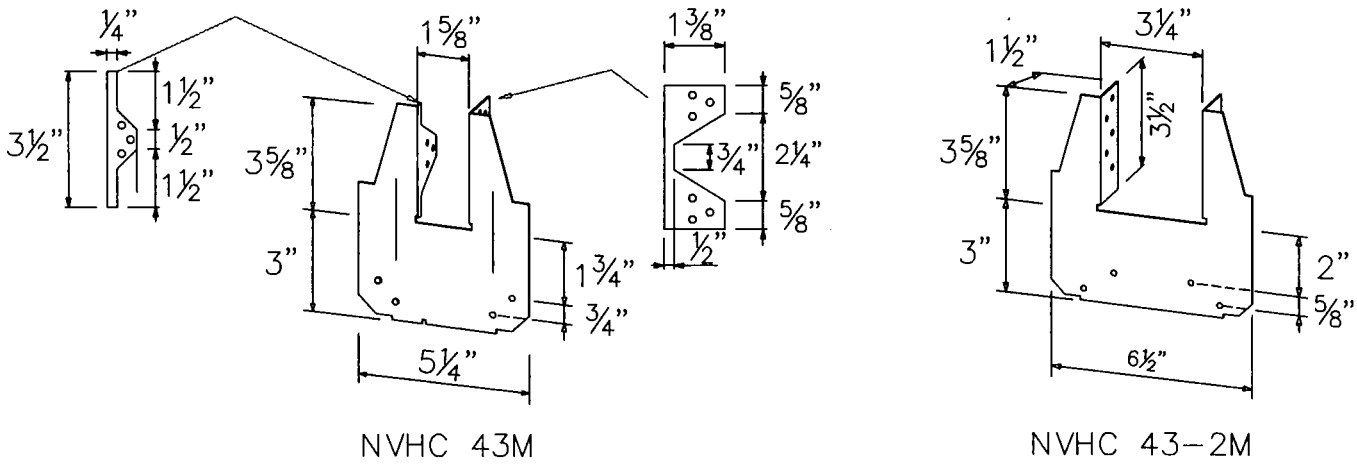


18 Gauge NVHC 43M & NVHC 43-2M Hurricane Clip

Product Code	Description	Fasteners		Design Loads (lbs.)		
		Masonry Header	Joist	Uplift	L1	L2
NVHC 43M	Hurricane Clip - Wide	4-1/4"	9-10d	700	407	308
NVHC 43-2M	Hurricane Clip - Wide x 2	4-1/4"	10-10d	917	547	432

- Notes:
- 1) 1/4" Masonry fasteners. 1 1/4" embedment by ITW Buildex shall conform to Manufacturer's Published Information.
 - 2) Masonry Header can be hollow concrete blocks or grouted concrete blocks or poured concrete beam.



Vipin N. Tolat, P.E.
 (Civil)
 FL. Reg. #12847

15123 Lantern
 Creek Lane
 Houston, TX
 77068