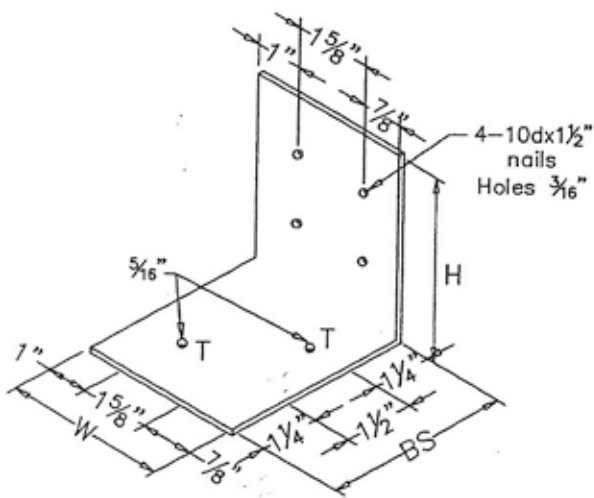


NVSA44M Structural Angle to Concrete Masonry

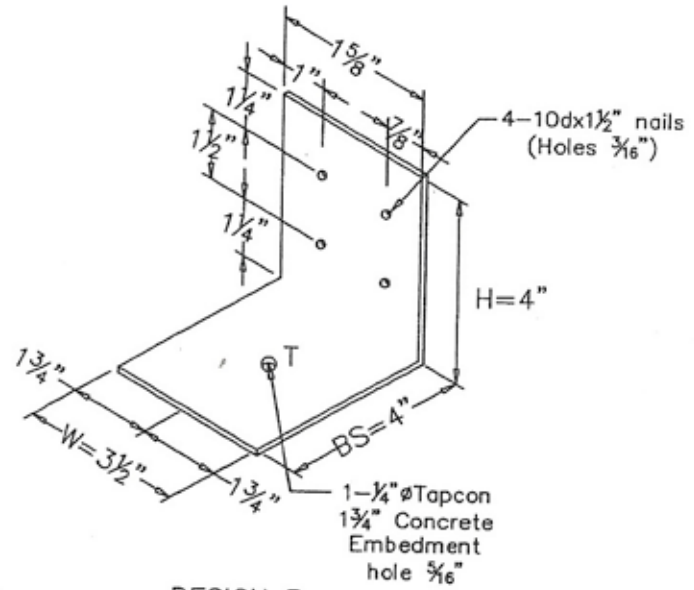
Design Features: To anchor existing roof truss to resist high Uplift loads
Materials: (1) 1/4" Black steel -ASTM A36 Steel
 (2) Minimum concrete strenght of 3000 psi.

Product Code	Thickness	Dimensions			Fasteners			Uplift Loads	
		W	H	BS	Wood Truss	Tie Beam A	Tie Beam B	Design A	Design B
NVSA-44M	1/4"	3 1/2"	4"	4"	4-10d x 1 1/2" nails	1-1/4" φ Tapcons 1 3/4" Embedment	1-1/4" φ Tapcon 1 3/4" Embedment	860	575*

* for use in Non-HVHZ

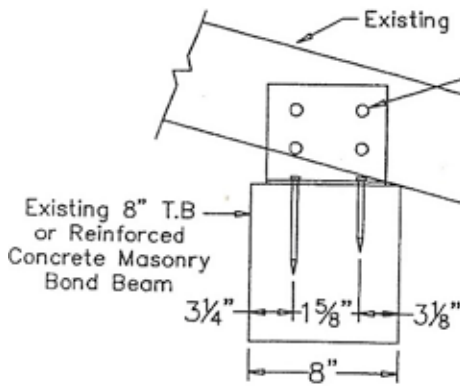


DESIGN A Two 1/4" Tapcons

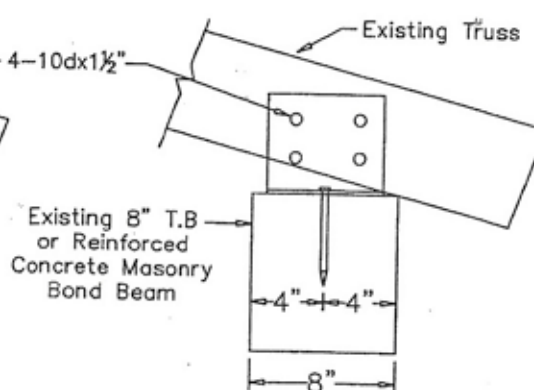


DESIGN B

T=1-1/4" φ Tapcon
1 3/4" Concrete Embedment



DESIGN A



DESIGN B

Vipin N. Tolat, P.E.
(Civil)
FL. Reg. #12847

15123 Lantern
Creek Lane
Houston, TX
77068