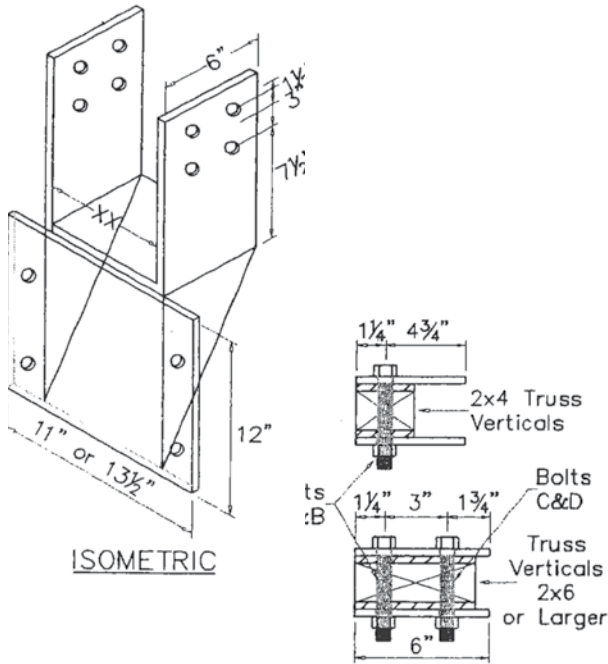


Wood to Concrete Truss Hangers NVPAL

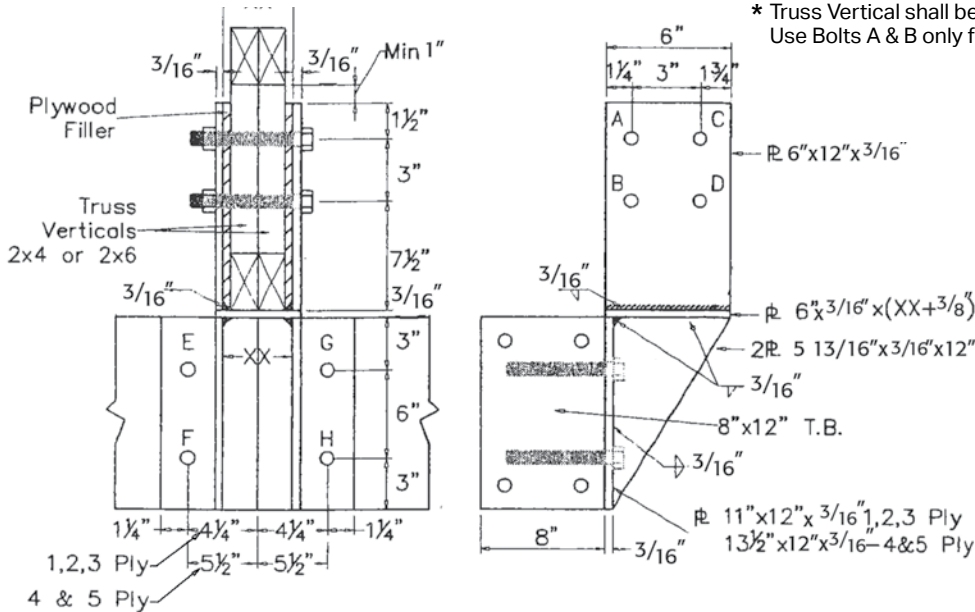


Product Code	PLYS	XX (in)	Allowable loads (lbs)*					
			F ¹ c = 2000 psi.		F ¹ c = 2500 psi.		F ¹ c = 3000 psi.	
			Gravity	Uplift	Gravity	Uplift	Gravity	Uplift
NVPAL-1	1	2"	7800	7047	7800	7800	7800	7047
NVPAL-2	2	4"	7800	7800	8100	8100	8400	8400
NVPAL-3	3	6"	7800	7800	8100	8100	8400	8400
NVPAL-4	4	7"	7800	7800	8100	8100	8400	8400
NVPAL-5	5	8 1/2"	7800	7800	8100	8100	8400	8400

* Truss Vertical shall be 2x6 or Larger.
Use Bolts A, B, C & D for Wood and E, F, G & H for Concrete

Product Code	PLYS	XX (in)	Allowable loads (lbs)*					
			F ¹ c = 2000 psi.		F ¹ c = 2500 psi.		F ¹ c = 3000 psi.	
			Gravity	Uplift	Gravity	Uplift	Gravity	Uplift
NVPAL-1	1	2"	5577	3524	5577	3524	5577	3524
NVPAL-2	2	4"	5586	6238	5586	6238	5586	6238
NVPAL-3	3	6"	5258	6613	5258	6613	5258	6613
NVPAL-4	4	7"	5097	6613	5097	6613	5097	6613
NVPAL-5	5	8 1/2"	4927	6613	4927	6613	4927	6613

* Truss Vertical shall be 2x4 or Larger.
Use Bolts A & B only for Wood and E, F, G & H for Concrete



Vipin N. Tolat, P.E.
(Civil)
FL. Reg. #12847

15123 Lantern
Creek Lane
Houston, TX
77068

Structural Notes: Wood to Concrete

- All design conforms to 2014 FBC and 2015/2012 IBC and IRC and NDS 2012.
- 3/16" thick structural steel shall conform to ASTM A36, yield strength 36000 psi. All bolt holes are 13/16" diameter.
- All welding shall be minimum 3/16" with E70 electrodes and shall conform to latest AISC/AWS codes.
All welds shall be fillet welds.
- All Power Fasteners wedge bolt anchors shall be per manufacturer's published information.
Minimum anchor diameter is 3/4" and anchor embedment shall be 6".
- Uplift values in concrete shown are reduced for bolt spacing and edge distance.
Power Fasteners are used without 33% increase in allowable values.
- All bolt values in wood conform to NDS for Southern Pine, G=0.55. Values for other species shall be adjusted as per NDS.
- Bolts shall not penetrate Truss Top and bottom chords and shall only be through Truss Verticals.
- This connector shall only be used for wood members loaded perpendicular to grain.
- Steel stress is not increased by 33%.
- Provide plywood shims to close the gap between carried truss and steel connectors to prevent bending of bolts.
- All products are painted Royal Blue for easy identification.