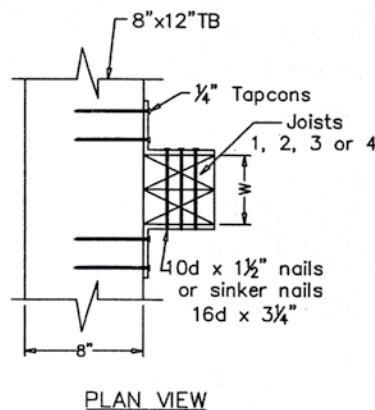
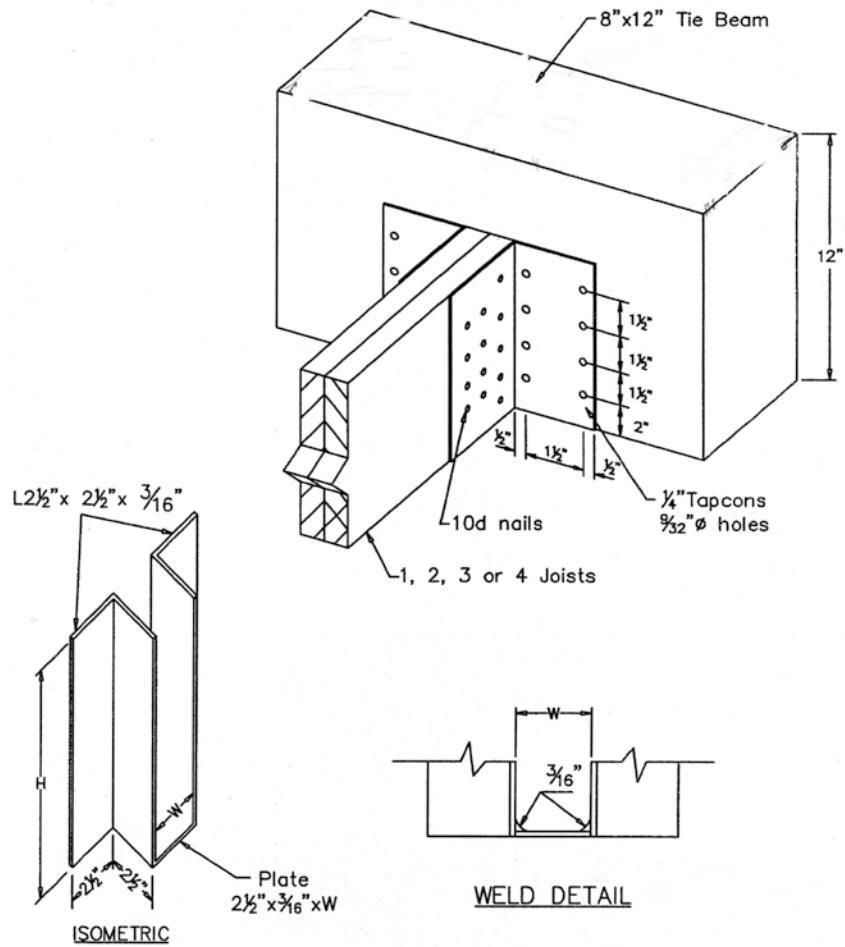


# NVGH Heavy Duty Face Mount Joist Hangers

Wood to Concrete - NVGH

Product Code	W in	H in	No. of Joist	Joist Size
NVGH 26	19/16	5 1/2	1	2x6 2x8
NVGH 28	19/16	7 1/2	1	2x8 2x10
NVGH 210	19/16	9 1/2	1	2x10 2x12
NVGH 212	19/16	11 1/2	1	2x12 2x14 2x16
NVGH 26-2	3 1/8	5 1/2	2	2x6 2x8
NVGH 28-2	3 1/8	7 1/2	2	2x8 2x10
NVGH 210-2	3 1/8	9 1/2	2	2x10 2x12
NVGH 212-2	3 1/8	11 1/2	2	2x12 2x14 2x16
NVGH 36	29/16	5 1/2	1	3x6 3x8
NVGH 38	29/16	7 1/2	1	3x8 3x10
NVGH 310	29/16	9 1/2	1	3x10 3x12
NVGH 312	29/16	11 1/2	1	3x12 3x14 3x16
NVGH 36-2	5 1/8	5 1/2	2	3x6 3x8
NVGH 38-2	5 1/8	7 1/2	2	3x8 3x10
NVGH 310-2	5 1/8	9 1/2	2	3x10 3x12
NVGH 312-2	5 1/8	11 1/2	2	3x12 3x14 3x16
NVGH 26-3	4 5/8	5 1/2	3	2x6 2x8
NVGH 28-3	4 5/8	7 1/2	3	2x8 2x10
NVGH 210-3	4 5/8	9 1/2	3	2x10 2x12
NVGH 212-3	4 5/8	11 1/2	3	2x12 2x14 2x16
NVGH 28-4	6 1/8	7 1/2	4	2x8 2x10
NVGH 210-4	6 1/8	9 1/2	4	2x10 2x12
NVGH 212-4	6 1/8	11 1/2	4	2x12 2x14 2x16
NVGH 46	39/16	5 1/2	1	4x6 4x8
NVGH 48	39/16	7 1/2	1	4x8 4x10
NVGH 410	39/16	9 1/2	1	4x10 4x12
NVGH 412	39/16	11 1/2	1	4x12 4x14 4x16
NVGH 66	5 1/2	5 1/2	1	6x6 6x8
NVGH 68	5 1/2	7 1/2	1	6x8 6x10
NVGH 610	5 1/2	9 1/2	1	6x10 6x12
NVGH 612	5 1/2	11 1/2	1	6x12 6x14 6x16
NVGH 86	7 1/2	5 1/2	1	8x6 8x8
NVGH 88	7 1/2	7 1/2	1	8x8 8x10
NVGH 810	7 1/2	9 1/2	1	8x10 8x12
NVGH 812	7 1/2	11 1/2	1	8x12 8x14 8x16



See page 37 for  
hanger capacity  
& structural notes

Vipin N. Tolat, P.E.  
(Civil)  
FL. Reg. #12847

15123 Lantern  
Creek Lane  
Houston, TX  
77068