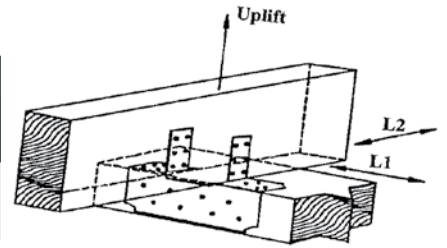


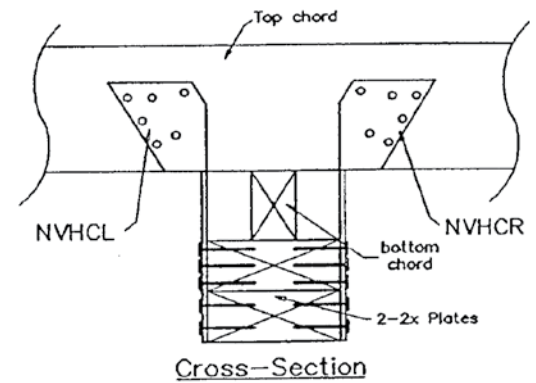
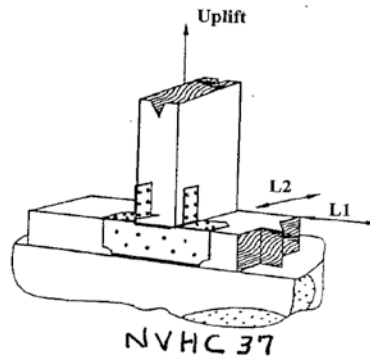
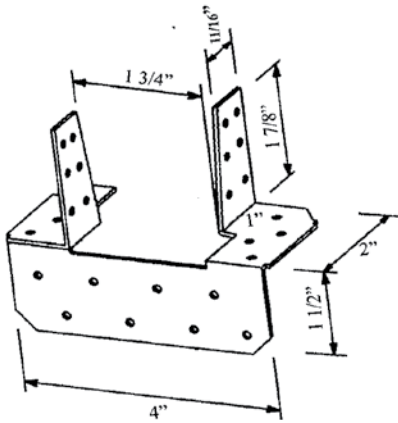
Hurricane Clips

Wood to Wood

NVHC 37 5WAY Grip Clip (520)						
Product Code	Description	Fasteners		Design Loads (lbs)		
		Headers	Joist	Uplift (lbs)	L1	L2
NVHC 37	5 Way Clip 18" gauge	16 - 8d or 16 - 10d	12 - 8d or 12 - 10d	702	560	637



- Notes:
- 1) All specified fasteners should be used on each of the connected members to achieve values indicated on above schedule.
 - 2) This table is based on Miami-Dade County NOA 16-0201.22 and Florida Approval 16294-R2, Table 17.
 - 3) See General Notes, page 01.



Product Code	Description	Gauge	Fasteners 10d x 1 1/2		Allowable Loads (lbs) Each Clip		
			Headers	Joist	Uplift	L1	L2
NVHCR	Hurricane Clip - Right	18	6	6	525	253	333
NVHCL	Hurricane Clip - Left	18	6	6	525	253	333

- Notes:
- 1) All specified fasteners should be used on each of the connected members to achieve values indicated on above schedule.
 - 2) This table is based on Miami-Dade County NOA 15-0507.03 and Florida Approval 16294-R2, Table 9
 - 3) For Uplift, use two clips, one on each side to comply with section 2321.7 of the FBC
 - 4) See General Notes, page 01.

