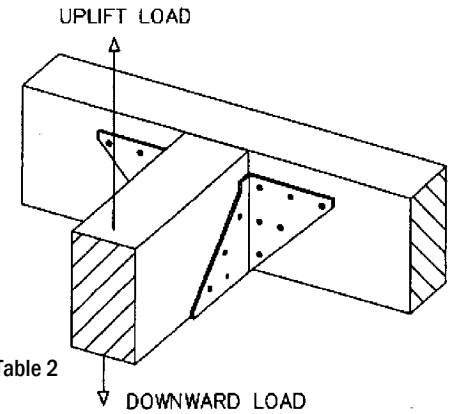


NVBH 24 Butterfly Hanger

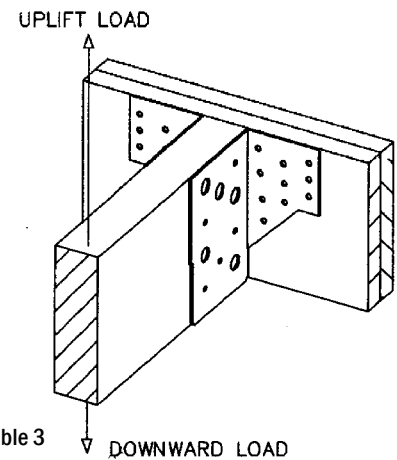
Wood to Wood

Size	Product Code	Gauge	Fastener Schedule		Allowable Loads (lbs.)	
			Header 8d	Joist 8d	Downward Gravity Loads $C_D=1.0$	Wind ² Uplift Load $C_D=1.6$
2x4	NVBH24	18	12	6	1113	364*



- Notes:
- 1) Values are based on 1 1/2" header Joist thickness and 1 1/2" Joist thickness.
 - 2) Can only be used in Non-HVHZ for uplift loads.
 - 3) See General Notes, page 01.
 - 4) This table is based on Miami Dade County NOA #15-0507.01 and Florida Approval FL 16294-R2, Table 2
- * For use in non-HVHZ

NVUH 26 Joist Hanger						
Size	Product Code	Gauge	Fastener Schedule		Allowable Loads (lbs.)	
			Header 16d	Joist 10d x 1 1/2"	Downward Gravity Loads	Wind Uplift Load
2x6	NVUH26	14	20	10	2233	1213



- Notes:
- 1) Use all specified fasteners in schedule to achieve values indicated.
 - 2) Values are based on 1 1/2" header Joist thickness.
 - 3) See General Notes, page 01.
 - 4) This table is based on Miami Dade County NOA #15-0507.01 and Florida Approval 16294-R2, Table 3

