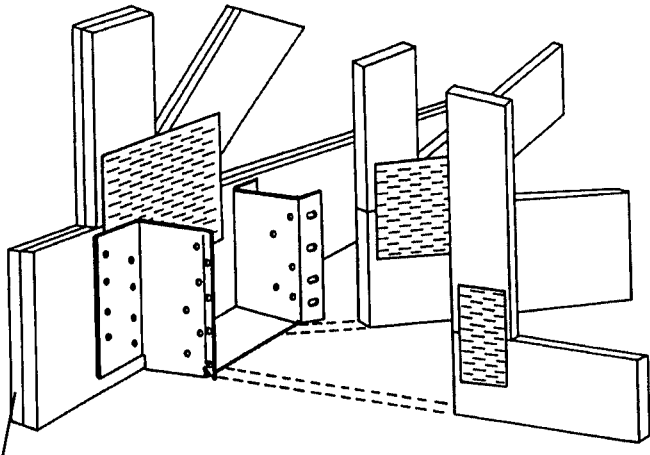


NVTHJ Truss Hip & Jack Hanger

Wood to Wood

HIP & JACK HANGERS



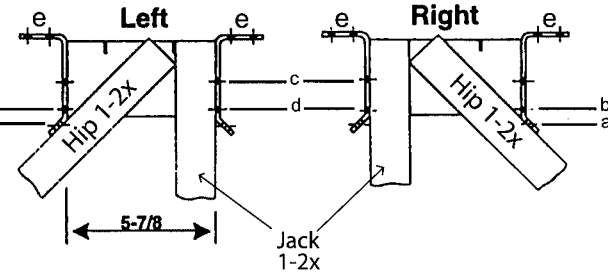
Header
2 - 2X

NVTHJ-26 as shown
NVTHJ-28 similar

U.S. Patent No. 4,964,253

The first hip and jack hanger that works right or left hand. Facemounts to 2x6 or 2x8 girder chord. Easy-nail flanges avoid the plated areas. Impressions in seat to align with panel point for perfect location, or hanger can be installed after corner truss is set. 3-1/4" seat bearing.

MATERIAL: 12ga.
FINISH: Galvanized G60

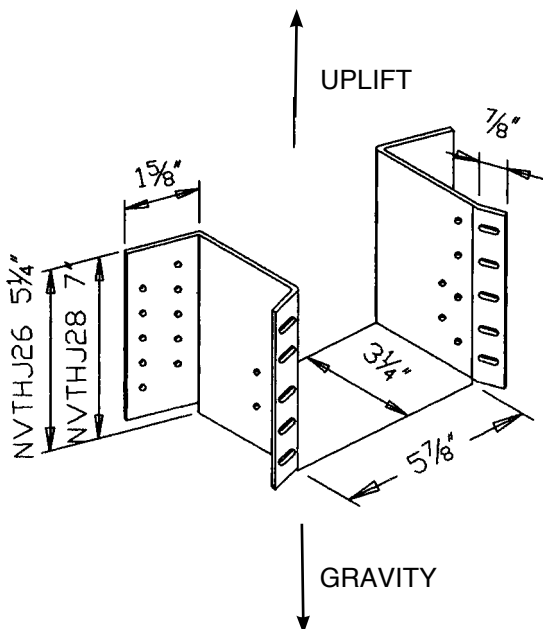


One Hanger Does it All.....At A Low, Low Cost

Product Code	Allowable Loads (lbs) S. Pine				Nail Schedule						
	Uplift 160%	Gravity Loads			Header Nails 16d (e)	Hip Nail 10d			Jack Nail 10d		
		100%	115%	125%		a	b	total	c	d	total
NVTHJ26	1478	2444	2444	2444	16	4	3	7	2	3	5
NVTHJ28	1931	3229	3333	3333	20	5	4	9	2	3	5

Note: For 1-2x members 10d x 1 1/2" nails can be used.

This table is based on Miami-Dade NOA 16-0201.22 and Florida Approval 16294-R2, Table 18



NVTHJ-26 as shown
NVTHJ-28 similar