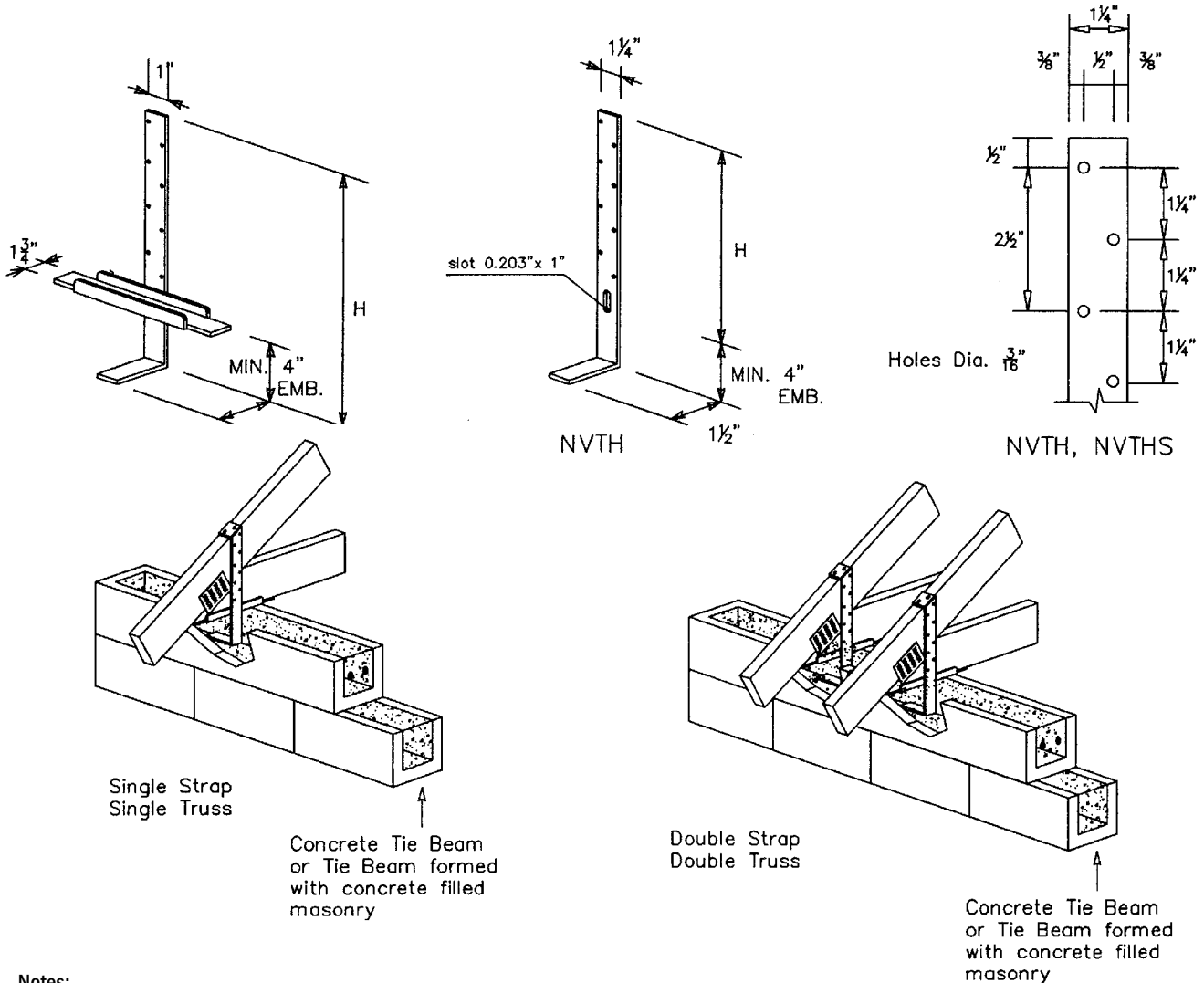


Truss Anchors NVTH 1 1/4" x 14G, Seat 18G

Wood to Concrete

H Length (in)	Product Code		No. of Fasteners in each strap 10d x 1.5"	Maximum Uplift Loads (lbs)		Maximum Lateral Loads (lbs)			
				Single Strap on Single Truss	Double Straps on Double Truss	Single Strap		Double Strap	
						L1	L2	L1	L2
12	NVTH-16	NVTHS 212							
14	NVTH-18	NVTHS 214	5	1032	2064	560	525	1120	1050
16	NVTH-20	NVTHS 216	6	1222	2444	671	630	1342	1260
18	NVTH-22	NVTHS 218	7	1275	2550	783	735	1566	1470
20	NVTH-24	NVTHS 220	8	1329	2658	783	735	1566	1470
22	NVTH-26	NVTHS 222	9	1383	2766	783	735	1566	1470
24	NVTH-28	NVTHS 224	10	1437	2874	783	735	1566	1470
26	NVTH-30	NVTHS 226	11	1490	2980	783	735	1566	1470
32	NVTH-36	NVTHS 232	12	1544	3088	783	735	1566	1470
44	NVTH-48	NVTHS 244	13	1598	3196	783	735	1566	1470

C_D=1.6 for Uplift and Lateral Loads



Notes:

- 1) All specified fasteners should be used on connected members to achieve values indicated on the above schedule
- 2) This table is based on Miami Dade County NOA 15-0570.03 and Florida Approval 16294-R2, Table 5.
- *3) Not a stock item, call for availability.
- 4) See General Notes, page 01.