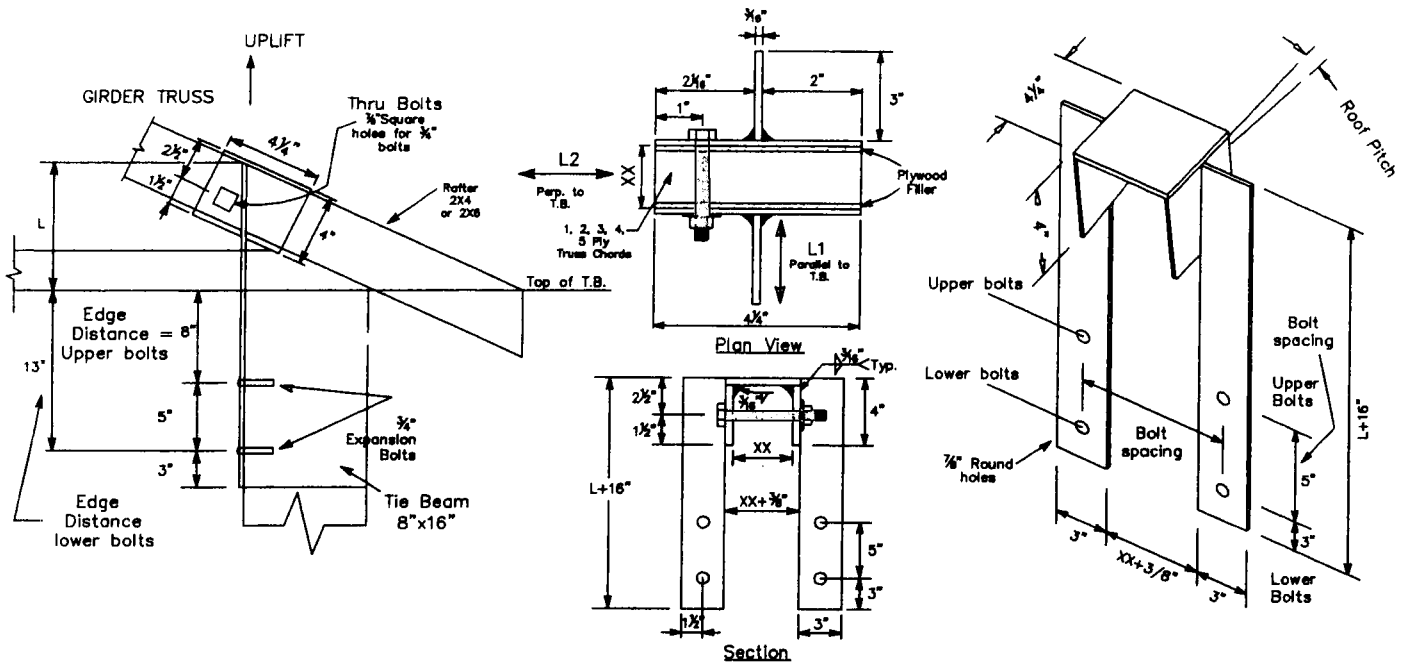


Uplift Strap Connector NVUCC

3/4" Power Fasteners Wedge Bolts



Product Code	PLYS	XX (in)	Allowable Uplift Loads (lbs.)			Allowable Lateral Loads (lbs.)		
			2 BOLTS LOWER	2 BOLTS UPPER	4 BOLTS	L1A	L1B	L2
NVUCC-1	1	2	4800	4800	4800	3350	3100	2770
NVUCC-2	2	4	9600	9600	9600	5000	3100	4900
NVUCC-3	3	6	11490	10040	14410	5200	3100	5200
NVUCC-4	4	7	11490	10040	16800	5200	3100	5200
NVUCC-5	5	8 1/2	11490	10040	17500	5200	3100	5200

Roof Slope	Values of L (in.)	
	Rafter 2x4	Rafter 2x6
3/12	5.6	7.7
4/12	6.4	8.5
5/12	7.1	9.3
6/12	7.9	10.2
7/12	8.7	11.0
8/12	9.5	11.9

Structural Notes:

- Design conforms to FBC 2014, IBC/IRC 2015/2012 and NDS 2012.
- 3/16" thick Structural steel shall conform to ASTM A36, yield strength 36000 psi. Load values shown are based on Steel Stress without 33% increase.
- All welding shall be minimum 3/16" with E70 electrodes and shall conform to latest AISC/AWS codes. All contact areas shall be fully fillet welded.
- All 3/4" diameter bolts through wood shall be per ANSI/ASME Standard B18.2.1.
- The Lateral loads shall not exceed the Truss Chord Capacity.
- Lateral loads combined with uplift loads, shall satisfy the following equation:

$$\frac{\text{Actual Uplift}}{\text{Allowable Uplift}} + \frac{\text{Actual L1}}{\text{Allowable L1}} + \frac{\text{Actual L2}}{\text{Allowable L2}} \leq 1.0$$
- All Power Fasteners wedge bolt anchors shall be per Power Fasteners Catalog. Minimum anchor embedment shall be 6". Minimum normal weight concrete shall be 2000 psi. Anchor diameter is 3/4". Bolt values are without 33% increase.
- Uplift and Lateral values shown are reduced for bolt spacing and edge distance per Power Fasteners Catalog. Uplift loads shall not exceed Truss chord capacity.
- Uplift values are also controlled by compression perpendicular to grain of 565 psi for Southern Pine per NDS. For other species, contact Engineer for values.
- Provide plywood shims to close the gap between truss chords to obtain full bearing and prevent bending of thru bolts.
- All products are painted Royal Blue for easy identification.

Notes:

- L1A applies to 2 upper bolts & 4 bolts.
- L1B applies to 2 lower bolts.
- L2 applies to all bolts.

Vipin N. Tolat, P.E.
(Civil)
FL. Reg. #12847

15123 Lantern
Creek Lane
Houston, TX
77068