

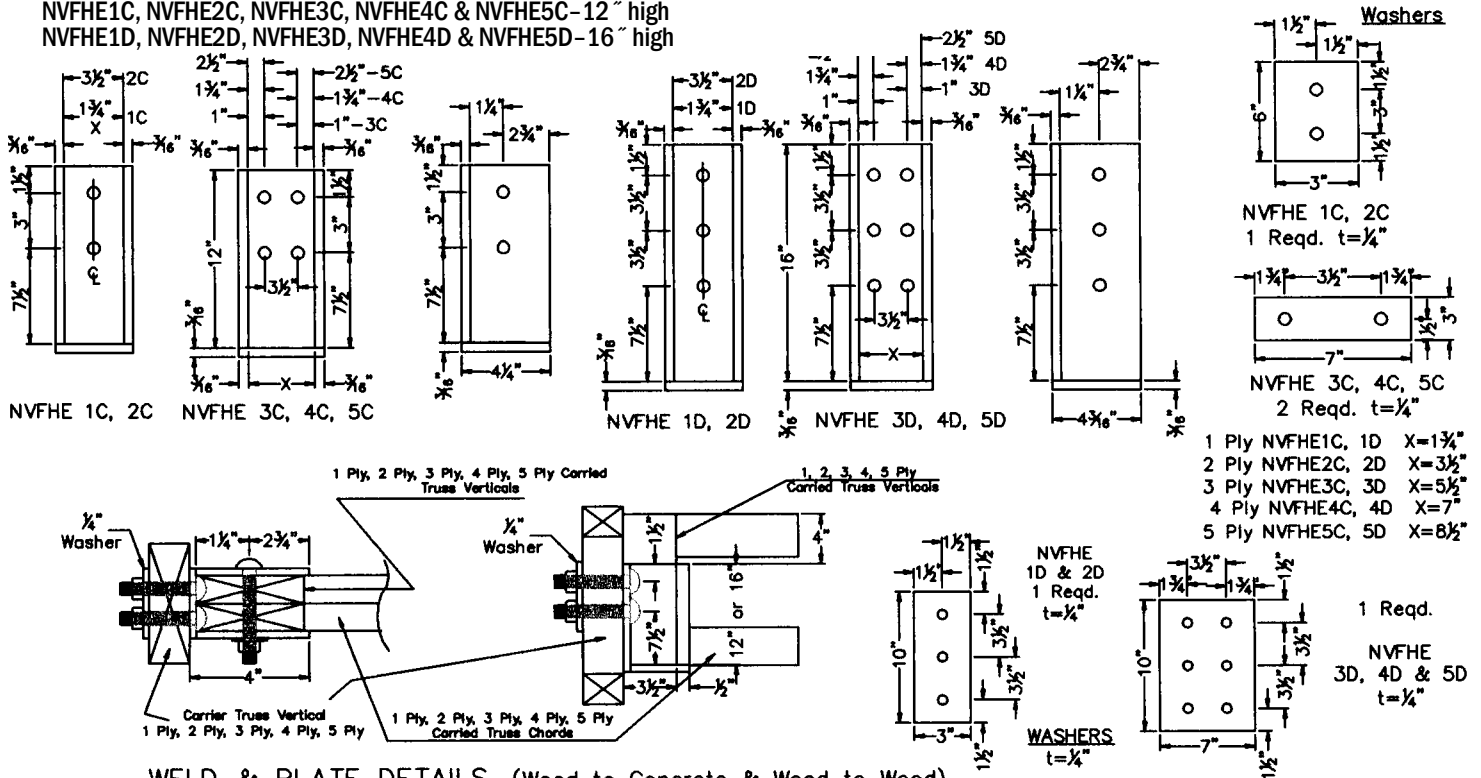
# Wood to Wood Truss Hangers NVFHE

Wood to Wood

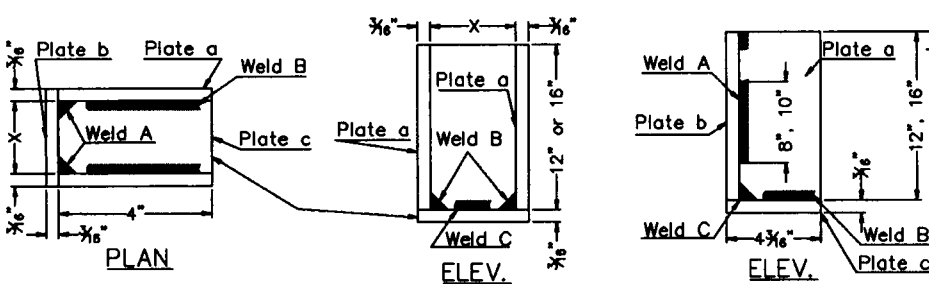
Heavy Welded Connectors

Carrier Truss Verticals	Carried Truss	Allowable Loads (lbs.)							
		12" High				16" High			
		1 Ply NVFHE1C	2 Ply NVFHE2C	3 Ply NVFHE3C	4 & 5 Ply NVFHE4C, 5C	1 Ply NVFHE1D	2 Ply NVFHE2D	3 Ply NVFHE3D	4 & 5 Ply NVFHE4D, 5D
1PLY 1 - 2x6	Gravity	2510	2510	5200	5200	4360	4360	8860	8860
	Uplift	3520	3520	7380	7380	6510	6510	13350	13350
2 PLY 2 - 2x6	Gravity	3755	3755	7288	7288	7070	7070	10372	10372
	Uplift	4960	4960	9870	9870	7890	10150	14805	14805
3 PLY 3 - 2x8	Gravity	3900	3900	7288	7288	7410	7410	10372	10372
	Uplift	5110	5110	9870	9870	7890	10580	14805	14805
4 and 5 PLY 4 - 2x8 5 - 2x8	Gravity	3900	3900	7288	7288	7410	7410	10372	10372
	Uplift	5100	5100	9870	9870	7890	10580	14805	14805

NVFHE1C, NVFHE2C, NVFHE3C, NVFHE4C & NVFHE5C - 12" high  
 NVFHE1D, NVFHE2D, NVFHE3D, NVFHE4D & NVFHE5D - 16" high



## WELD & PLATE DETAILS (Wood to Concrete & Wood to Wood)



For Structural Notes, see page 28

Weld A: 8" long for 12" high & 10" long for 16" high plates and 1/2" at top.

Weld B: Continuous 3/16" Fillet.

Weld C: Continuous 3/16" Fillet.

Plates a: 4" x 3/16" x 12" or 16"  
 Plate b: (X + 1/2") x 3/16" x 12" or 16"  
 Plate c: (X + 1/2") x 3/16" x 4 3/8"

NVFHE	Carried Truss Verticals
1C, 1D	2 x 4
2C, 2D	2 x 6
3C, 3D	2 x 8
4C, 4D	2 x 8
5C, 5D	2 x 8

Vipin N. Tolat, P.E.  
 (Civil)  
 FL. Reg. #12847

15123 Lantern  
 Creek Lane  
 Houston, TX  
 77068